

BALMAR

WWW.BALMAR.NET

91-Series Alternators

Model	Rating	Volts	Outputs	Ground
91-75	75	12	1	Case
91-75-IG	75	12	1	Isolated
91-75-D	75	12	2	Case
91-100	100	12	1	Case
91-100-IG	100	12	1	Isolated
91-100-D	100	12	2	Case
91-150	150	12	1	Case
91-150-IG	150	12	1	Isolated
91-150-D	150	12	2	Case
91-24-65	65	24	1	Case
91-24-65-IG	65	24	1	Isolated
91-24-80	80	24	1	Case
91-24-80-IG	80	24	1	Isolated
91-24-80-D	80	24	2	Case

Specifications

Mounting Foot Configuration - Sgl. 1" Foot

Tensioning Arm - 180 degree offset

Rotor/Stator - 14-Pole

Charging Output - Single Post/Dual Post (D)

Stator Output - Alternating Current (AC)

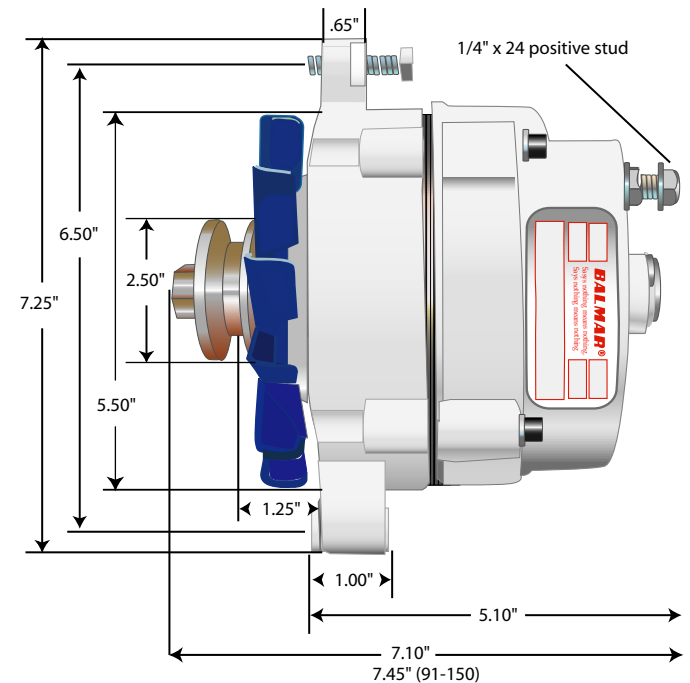
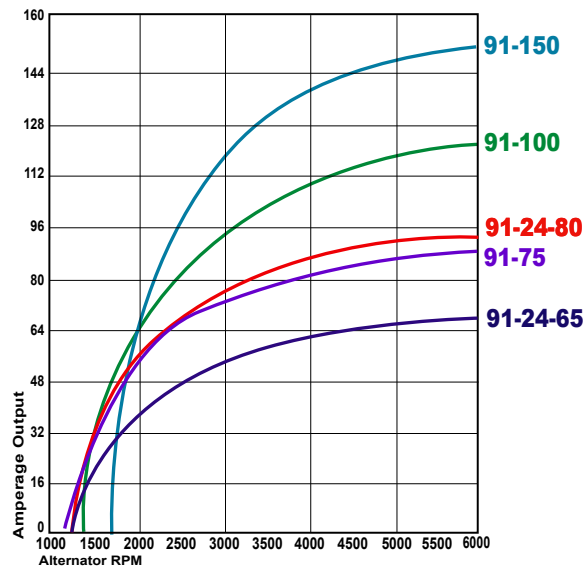
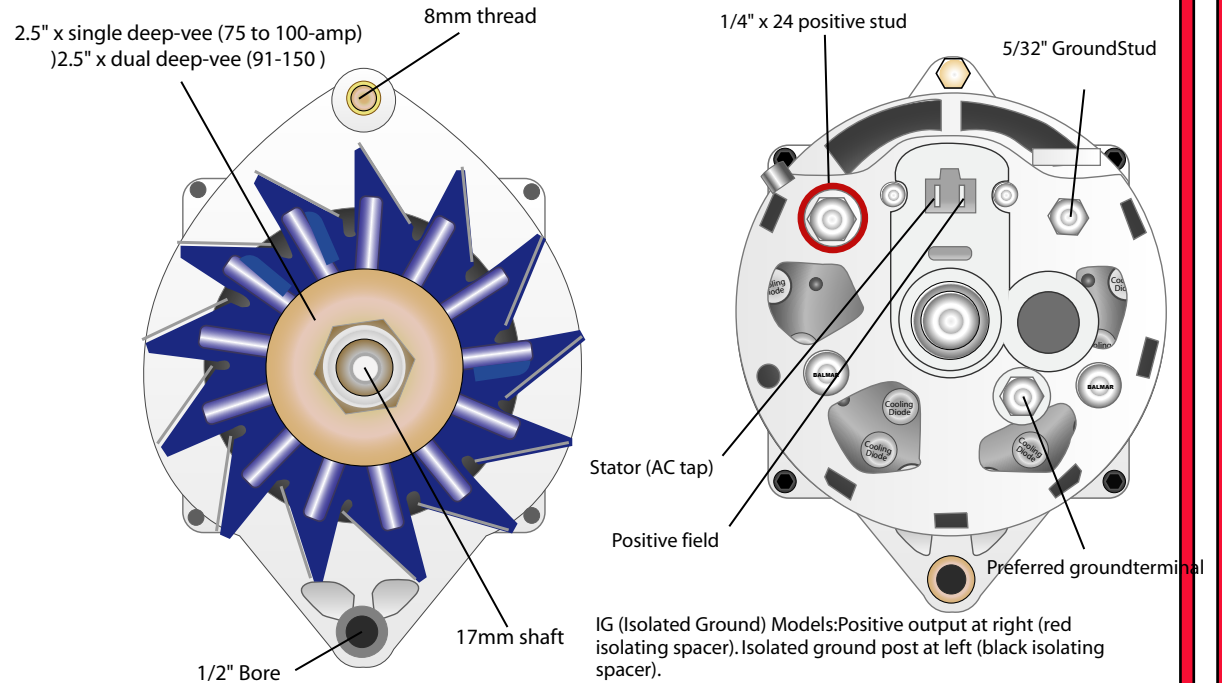
Bearings - Sealed, Internally lubricated HD

Cooling - Dual Internal Fans

Max. RPM - 6,500

Regulation - External Multi Stage

Warranty - One Year Limited



Note: Dual output alternators will feature twin isolated positive output posts at the top or back of alternator. Positive posts can be bridged to provide improved cooling when used as a single output alternator.