

J. H. WESTERBEKE CORP.

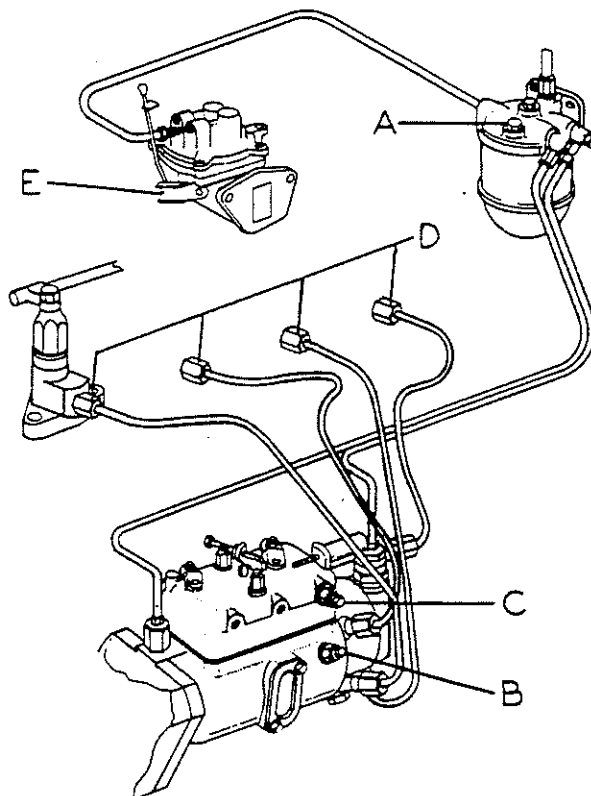
35 TENEAN STREET, BOSTON, MASSACHUSETTS, 02122

MANUFACTURERS & DISTRIBUTORS OF INDUSTRIAL & MARINE ENGINES AND GENERATORS

SERVICE BULLETIN #49

SUBJECT: Bleeding and Priming Fuel System

MODEL: Four-107



1. Ensure fuel shut off valve is open.
2. Position shift lever to neutral.
3. Position fuel stop-run and throttle control levers to maximum open positions.
4. Loosen bleed plug (A). Operate priming lever (E). When fuel, free of air bubbles, issues from bleed plug, tighten plug.
5. Loosen bleed screw (B). Operate priming lever (E) as in step (4) above, then tighten screw.
6. Loosen bleed screw (C). Operate priming lever (E) as in step (4) above, then tighten screw.
7. Loosen the four union nuts (D). Operate the starter motor, when fuel, free of air bubbles, issues from union nuts, tighten nuts.
8. Start engine in full throttle for maximum fuel. Immediately return throttle to idle speed when engine starts.

NOTE: If the engine camshaft cam driving the fuel lift pump is on maximum lift, it will not be possible to obtain a full pumping stroke with the priming lever (E), and the engine